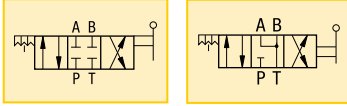


Pressure: 350 bar

Flow: 0,8 - 4,0 l/min

- E** Válvulas de control de 4 vias
- F** Distributeurs à 4 voies
- D** 4-Wege-Ventiler



Manual control of single and double-acting cylinders

- Near zero leakage pressure seal design
- 4-way, 3-position
- Detented handle positions
- Low handle effort 5 kg, even at full pressure
- Handle can be repositioned for side by side valve mounting
- Compact size for directly mounting on fixture for individual circuit control
- D03/CETOP 3 mounting pattern

Shown: VMMD-001, VMTD-001



VMM and VMT-series

Manual directional control valves for single- and double-acting cylinder control. Lapped pressure seal surface provide near zero leakage.

The VMTD series has threaded port connections and removable holding bracket for panel mounting.

Application

Panel mounting on fixtures for control of individual circuits. The blocked pressure port in the center position allows demand style pumps to stall out, saving energy.

The valves require check valves for positive load holding.

■ Several VMTD-001 valves mounted on fixture waiting to be transferred to machine.

Options

VD1P, Inline check valve

◀ 140

D03 Manifolds

144 ▶



Hoses and couplers

192 ▶



Fittings

194 ▶

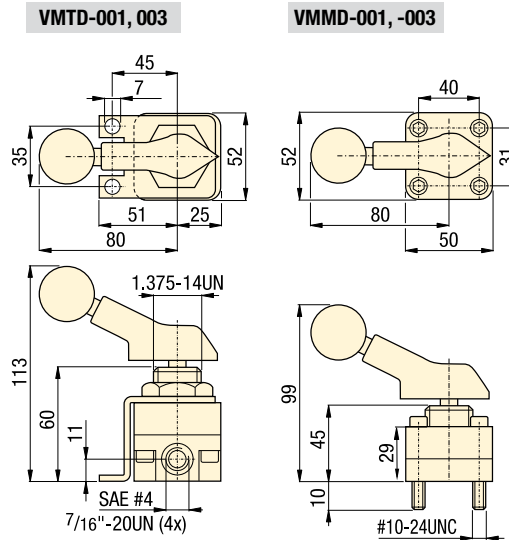


Important

For multiple circuit applications, the VD1P inline check valve is recommended to prevent pressure drop on the holding circuit.

See page 145 for mounting bolt information.

Pressure on return side (tank) should not exceed 17 bar.



Product selection

Valve mounting pattern	Mounting bolts included	Oil ports	Model number	Hydraulic symbol	Pressure range	Pressure drop ¹⁾	Max. oil flow
					bar	bar	l/min
▼ 4-way, 3-position control valves							
Panel mtg.	-	SAE #4	VMTD-001		0-350	4,8	17
D03/CETOP 3	#10-24UN	-	VMMD-001		0-350	4,8	17
Panel mtg.	-	SAE #4	VMTD-003		0-350	4,8	17
D03/CETOP 3	#10-24UN	-	VMMD-003		0-350	4,8	17

¹⁾ Pressure drop from P-A or P-B at maximum oil flow of 17 l/min. Seal material: Buna-N, Polyurethane.

www.enerpacwh.com

