



## Motor data

Rated voltage	without / with FIBRODRIVE plus	230 V / 400 V
Table top speed		$n_{max.} = 200 \text{ 1/min}$
Rated power		0,63 KW
Rated torque		30 Nm
Maximum torque		93,7 Nm
Rated current		2,9 A
Maximum current		9,8 A
Number of terminal pairs		14
Duty cycle	up to 200 c/min depending to mass moment of inertia and indexing angle	
Duty mode		S5-periodic duty

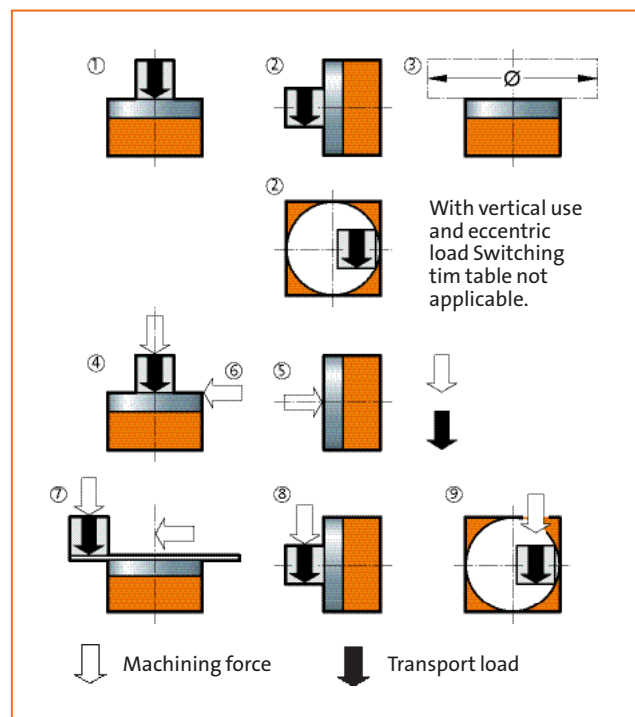
## Indexing times for FIBRODYN® DM.0200\*

Mass moment of inertia J in kgm <sup>2</sup>		0,35	0,75	1,5	2	3	6
Max. permitted table top speed 1/min		170	140	100	85	70	50
Acceleration time $t_a$ in s		0,12	0,21	0,29	0,32	0,40	0,56
Indexing time $t_i$ in s for	360°	0,503	0,669	0,920	1,056	1,287	1,790
	180°	0,326	0,454	0,620	0,703	0,859	1,190
	120°	0,268	0,376	0,512	0,579	0,706	0,977
	90°	0,236	0,330	0,447	0,505	0,616	0,850
	72°	0,214	0,298	0,403	0,455	0,554	0,763
	60°	0,198	0,275	0,371	0,418	0,508	0,699
	45°	0,176	0,242	0,325	0,366	0,444	0,610
	36°	0,160	0,220	0,294	0,331	0,400	0,548
	30°	0,149	0,203	0,271	0,304	0,368	0,503
	22,5°	0,133	0,180	0,239	0,268	0,323	0,440
	18°	0,122	0,164	0,217	0,243	0,292	0,397
15°	0,114	0,152	0,200	0,224	0,269	0,365	

\* All indexing times have been measured with a single axis NC-Control with a duty cycle of 25 % and includes positioning time. For other duty cycles please contact us.

## Load data for FIBRODYN® DM.0200

Permitted transport load on table top	horizontal	250 kg	①
	vertical	100 kg	②
	over head	100 kg	
Permitted superstructure diameter		1000 mm	③
Permitted axial loading on the indexing table	horizontal	4000 N	④
	vertical	1500 N	⑤
Permitted radial loading on the indexing table		1000 N	⑥
Permitted tilting moment on positioned table top	horizontal	600 Nm	⑦
	vertical	300 Nm	⑧
	over head	150 Nm	
Permitted tilting moment on the rotating table top	horizontal	200 Nm	⑦
	vertical	150 Nm	⑧
	over head	100 Nm	



CAD data, technical data and planning documentation can be downloaded from [www.fibro.com](http://www.fibro.com).